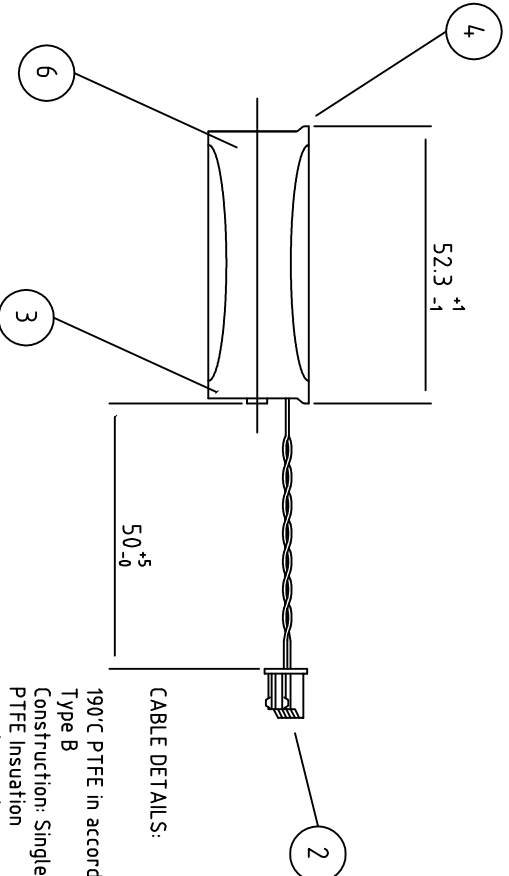
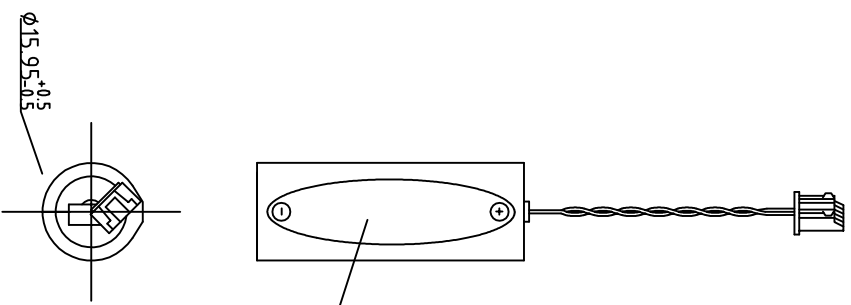
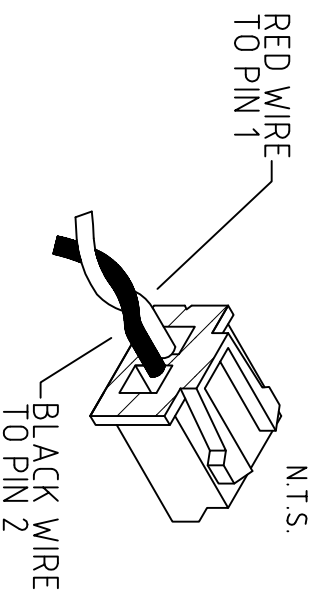


**ITEMS NOT SHOWN: INSULATING SLEEVES (ITEM 5)
SOLDER (ITEM 8)
FLUX (ITEM 7)**



CABLE DETAILS:

190°C PTFE in accordance with BS36210
Type B
Construction: Single core, silver plated copper conductor,
PTFE Insulation
Size (SQ.MM): 0.22
Stranding (MM): 7/0.20
Insulation Thickness (MM): 0.25 nom
Overall Diameter (MM): 1.20nom

3146	07.10.13	2	S.B.	BATTERY SLEEVE CHANGED						
3101	20.08.13	1	S.B.	BATTERY PASSED VALIDATION						
N/A	23.07.13	A	S.B.	FIRST ISSUE						
ECR NO.	DATE	ISSUE	BY	DETAILS						
ALL DIMS IN MM		IF IN DOUBT ASK!		GENERAL TOLERANCES: 0=±0.35 0.0=±0.1 0.00=±0.08 ANGLE: ±0.5°						

1	2	3	4	5	6	7	8
---	---	---	---	---	---	---	---

TITLE	LS14500 with XHP-2 connector
SCALE: 1:1	
DRAWN BY: S.BELL	CHECKED BY: S.CLARK
DATE: 23.07.13	
MATERIAL:	-
USED ON:	-
SHEET NO.	1 OF 1
DWG NO.	0095-577-019

SAFT LTD, RIVER DRIVE SOUTH SHIELDS,
TYNE & WEAR, NE33 2TR
TEL: 0191 4561451 FAX: 0191 4566383
www.saftbatteries.com